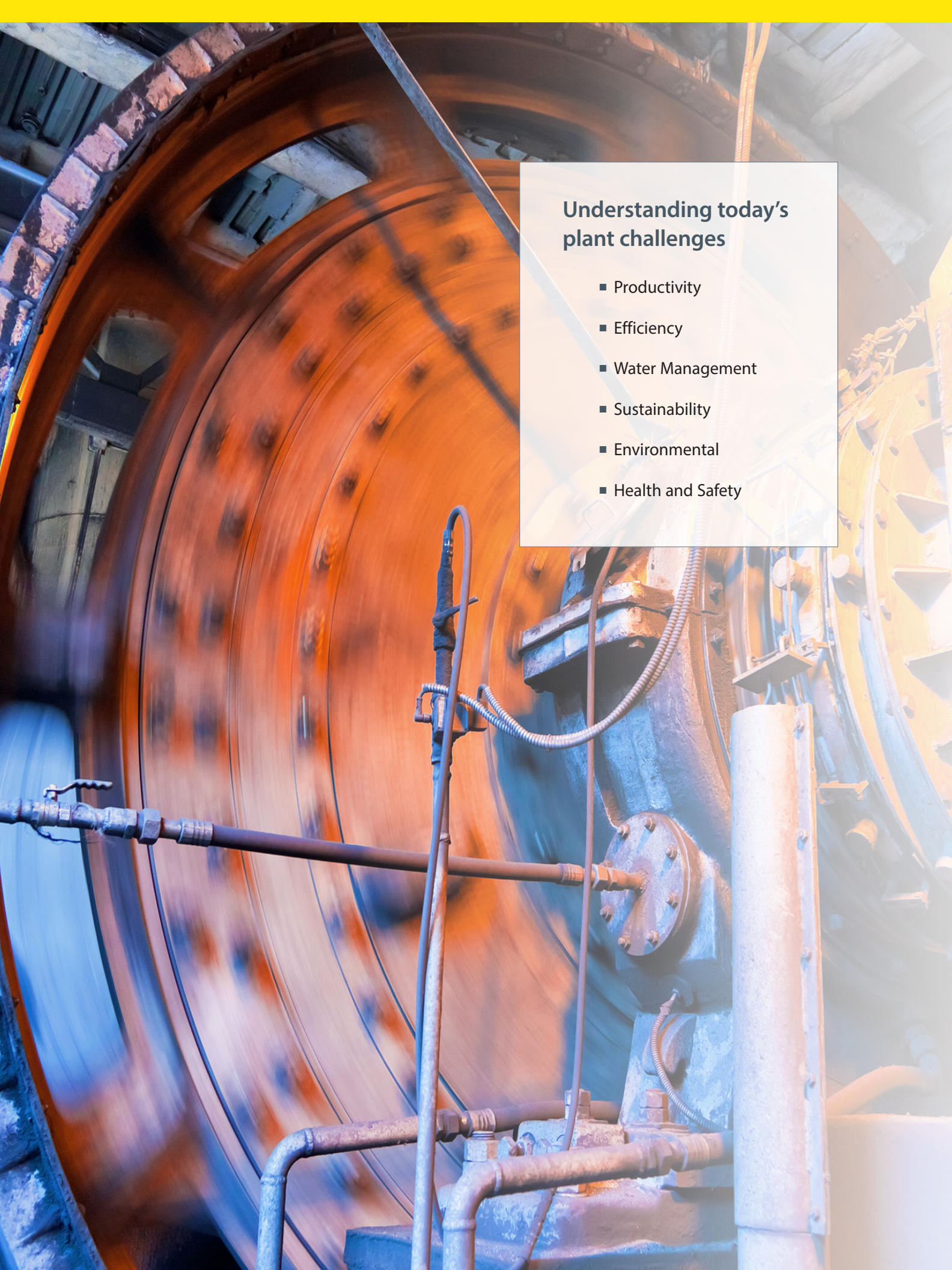


# MINING AND ORE PROCESSING

INDUSTRY SOLUTIONS AND SERVICES





## Understanding today's plant challenges

- Productivity
- Efficiency
- Water Management
- Sustainability
- Environmental
- Health and Safety



# Solutions You Can Count On

*Chesterton® is a full-solutions provider for mining and ore processing operations where productivity, efficiency, and reduced downtime are the key cost differentiators.*

*Through our extensive distributor network and service centers, we work with you to provide solutions for sealing, lubrication, and protective coatings that help drive process improvements in equipment reliability and operational efficiency.*

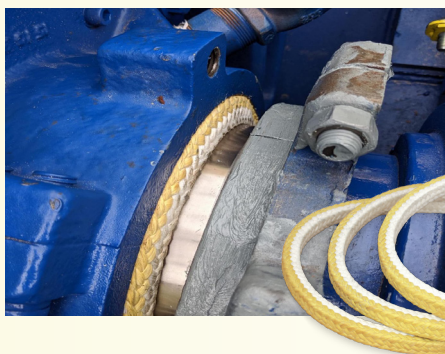
## Improve Equipment Reliability With:

- **Slurry Sealing** – mechanical seals and packing for pumps and other rotating equipment
- **Mobile Mining Equipment** – polymer sealing kits for cylinders on trucks, loaders, dozers, and excavators
- **Equipment Monitoring** – IIoT sensor for predictive maintenance of pumps, motors, gearboxes, fans, and other critical equipment
- **Industrial Coatings** – asset protection for screws, chutes, tanks, screens, decks, floors, and structures
- **Lubrication Technology** – specialty lubricants for motor bearings, hoists, fans, conveyors, and crushers
- **Water Management** – tailored programs to reduce water usage and costs
- **Training** – programs relating to product selection, installation, maintenance, and operation techniques



# Sealing Your Harshes Applications

*Slurry sealing is critical to plant productivity and pumps are often prone to premature failures, unplanned maintenance, and excessive water usage. Chesterton offers proven compression packing and mechanical sealing solutions to address the following concerns.*

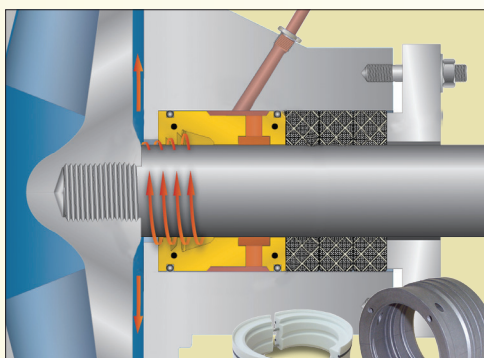
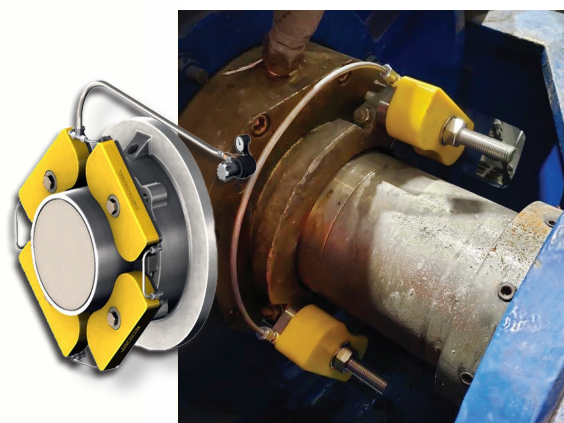


## Reduce Packing Adjustments, Repacking, and Flush Rates

Chesterton DualPac® packing is a tough, resilient slurry pump packing designed to minimize gland adjustments, withstand extrusion, and increase MTBR. Advanced SuperSet™ packing solutions include pre-cut rings and an environmental controller, which have proven to extend packing life, reduce flow rates, and save water.

## Eliminate Manual Packing Adjustments and Improve Performance

Chesterton AMPS™ (Automated Mechanical Packing System) technology provides active loading of braided packing used in pumps and other rotating equipment. This technology maintains a constant load on packing, eliminating manual adjustments and associated safety concerns, while minimizing leakage and improving sealing performance.



## Enhance Packing Life and Reduce Water Usage

SpiralTrac® active throat bushing technology centrifugally removes contaminants from the pump stuffing box and away from packing, providing longer sealing life and reducing flush flow rates.



# Reduce Downtime and Maintenance Costs

## Flushless Mechanical Seal Design for Slurries

The Chesterton heavy-duty 170 Slurry Single Cartridge Seal features a line-to-line face design, stationary non-clogging springs, and a robust drive mechanism designed to operate flushless in slurries with up to 40% solids. Heavy-duty single and double modular cartridge seals are available for a wide range of applications including water and light slurries.

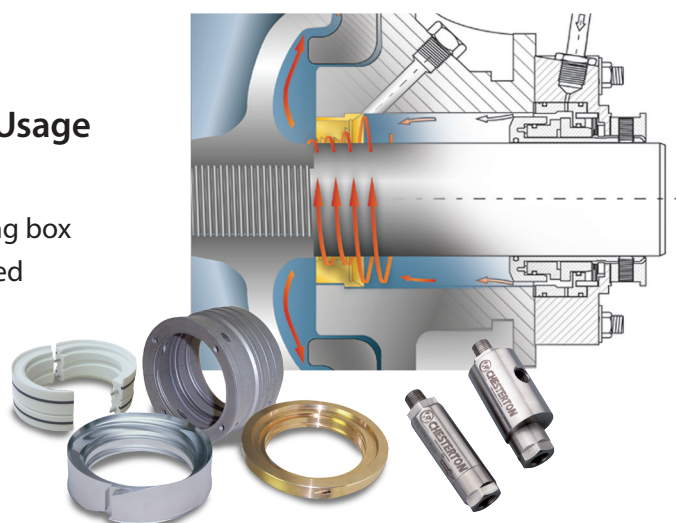


## Time-Saving Split Seal Technology

The Chesterton 442C™ Cartridge Split Mechanical Seal provides superior performance with the simple, time-saving installation of a split design. This technology eliminates equipment disassembly during seal replacement and is field-repairable.

## Enhance Seal Life and Reduce Water Usage

SpiralTrac® technology acts as an environmental controller, removing particulates from the stuffing box and away from mechanical seal faces for improved cooling, reduced flush flow rates, and longer seal life. The Intelli-Flow™ water saver helps double mechanical seals run cooler and more reliably and reduces water usage.





# Extend Equipment Life



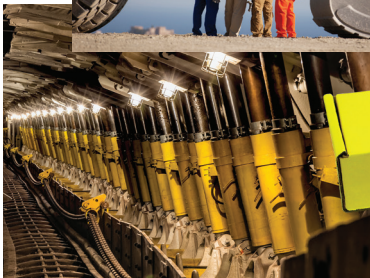
## Increase Equipment Reliability While Protecting Your Assets

Chesterton ARC Industrial Coatings provide reliable, long-lasting protection against abrasive wear, impact, and corrosion for your plant's process equipment and related structures.

The BX and MX series advanced thermoset polymers are reinforced with ultra-pure ceramic, which helps resist abrasion, erosion, corrosion, and chemical attack.

## Reduce Premature Bearing Failure

Chesterton QBT™ (Quiet Bearing Technology) combines exceptional water washout and corrosion-resistance with extreme pressure and temperature resistance to increase bearing life and equipment reliability. Our microprocessor auto lubricator can be programmed to meter out the required amount of grease in realtime to prevent under- or over-greasing.



## Maximize Productivity on Off-Highway and Underground Equipment

Custom cylinder upgrade kits extend the hours of operation between maintenance intervals on critical equipment.

Proprietary polymer technologies, combined with unique designs and precision wear components, work together to extend service life and reduce costs.





# Reliable Service Partner

*Chesterton's team of highly trained specialists and engineers, draw on decades of mining experience while providing in-field, hands-on consultation and support. They are supported by an industry-leading global distribution network that helps ensure your needs are met on time, every time!*



## Monitor Equipment Health and Avoid Unplanned Downtime

The Chesterton Connect™ system is a condition-based maintenance tool designed to monitor the health of critical equipment.

Avoid unplanned downtime, reduce maintenance costs, and protect your assets by remotely monitoring equipment health 24/7/365.

## Chesterton Water Management Program

As your business partner, Chesterton works with you to identify specific improvement opportunities and develop a tailored action plan for water usage and reduction. The objective is to measure current water usage, using a data-oriented approach, and then establish best practices to maximize reduction.

- Plant survey
- Cost reduction and savings
- EIN and reporting
- Financial impact
- Water and energy usage
- Training



## Training that Increases Productivity

Chesterton boasts cutting-edge training facilities that offer hands-on, personalized training programs designed to address the requirements of each plant. Let us help educate your personnel with a customized on-site program specific to your plant needs including the latest technologies and best practices.

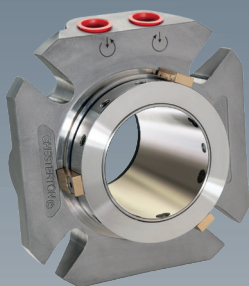


# Core Products and New Technologies

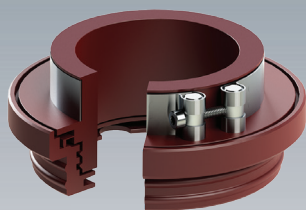
Technologies	Core Products
Mechanical Seals	170, 170L, 1810, 2810, 442C™, Guardian, Intelli-Flow™, SpiralTrac®, and WSS
Packing	DualPac® 2212, 1830-SSP, AMPS™ System, SpiralTrac®, and SuperSet™
Polymer Seals	Custom mobile and underground kits, 30K, Matrix Seal, and Split PLS
Industrial Coatings	BX series, MX series, 858, and SD4i
Specialty Products	600 series grease, 601, 650, 720, 783, 800, 860, and Lubri-Cup™
Equipment Monitoring	Chesterton Connect™ Cloud, Dashboard, Gateway, and Sensor

## Latest Technologies

Chesterton prides itself on providing innovative technologies to meet specific industry needs. We continue to develop environmentally responsible and sustainable technology that result in greater reliability.



- Heavy-Duty Modular Double Cartridge Seal (2810)
- Split Polymer Labyrinth Seal (SPLS)



## Global Solutions, Local Service

Since its founding in 1884, the A.W. Chesterton Company has successfully met the critical needs of its diverse customer base. Today, as always, customers count on Chesterton solutions to increase equipment reliability, optimize energy consumption, and provide local technical support and service wherever they are in the world.

Chesterton's global capabilities include:

- Servicing plants in over 113 countries
- Global manufacturing operations
- More than 500 Service Centers and Sales Offices worldwide
- Over 1200 trained local Service Specialists and Technicians

Visit our website



Chesterton ISO certificates available on [chesterton.com/corporate/iso](https://chesterton.com/corporate/iso)

SpiralTrac® is a registered trademark of EnviroSeal Engineering Products Ltd.

AMPS™, Chesterton Connect™, Intelli-Flow™, 442C™, QBT™, and SuperSet™ are trademarks of A.W. Chesterton Company.

DualPac®, and GoldEnd® are registered trademarks of A.W. Chesterton Company.

Technical data reflects results of laboratory tests and is intended to indicate general characteristics only. A.W. Chesterton Company disclaims all warranties expressed, or implied, including warranties of merchantability and fitness for a particular purpose or use. Liability, if any, is limited to product replacement only. Any images contained herein are for general illustrative or aesthetic purposes only and are not intended to convey any instructional, safety, handling or usage information or advice respecting any product or equipment. Please refer to relevant Safety Data Sheets, Product Data Sheets, and/or Product Labels for safe use, storage, handling, and disposal of products, or consult with your local Chesterton sales representative.

© 2024 A.W. Chesterton Company

® Registered trademark owned by A.W. Chesterton Company in USA and other countries, unless otherwise noted.

Distributed by:



A.W. Chesterton Company  
860 Salem Street  
Groveland, MA 01834 USA

Telephone: 781-438-7000  
[chesterton.com](https://chesterton.com)

Form No. EN601759  
Mining and Ore  
Brochure – English  
4/24